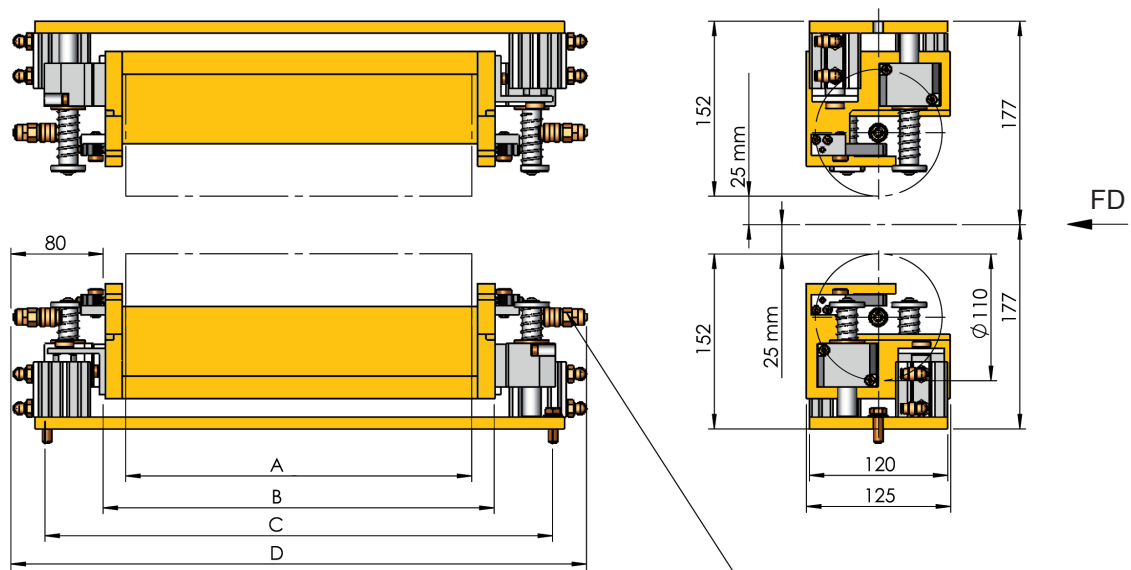


| Part no. | Designation | A Lubrication width [mm] | B Housing width [mm] | C Installation dimension [mm] | D Space require- ment [mm] |
|------------|----------------|--------------------------------|----------------------------|--|----------------------------------|
| 1023100075 | RB TSF-SW 075 | 75 | 89 | 190 | 310 |
| 1023100100 | RB TSF-SW 100 | 100 | 139 | 240 | 360 |
| 1023100150 | RB TSF-SW 150 | 150 | 189 | 290 | 410 |
| 1023100200 | RB TSF-SW 200 | 200 | 239 | 340 | 460 |
| 1023100250 | RB TSF-SW 250 | 250 | 289 | 390 | 510 |
| 1023100300 | RB TSF-SW 300 | 300 | 339 | 440 | 560 |
| 1023100350 | RB TSF-SW 350 | 350 | 389 | 490 | 610 |
| 1023100400 | RB TSF-SW 400 | 400 | 439 | 540 | 660 |
| 1023100450 | RB TSF-SW 450 | 450 | 489 | 590 | 710 |
| 1023100500 | RB TSF-SW 500 | 500 | 539 | 640 | 760 |
| 1023100600 | RB TSF-SW 600 | 600 | 639 | 740 | 860 |
| 1023100700 | RB TSF-SW 700 | 700 | 739 | 840 | 960 |
| 1023100800 | RB TSF-SW 800 | 800 | 839 | 940 | 1060 |
| 1023100900 | RB TSF-SW 900 | 900 | 939 | 1040 | 1160 |
| 1023101000 | RB TSF-SW 1000 | 1000 | 1039 | 1140 | 1260 |
| 1023101300 | RB TSF-SW 1300 | 1300 | 1339 | 1440 | 1560 |

Dimensions



Above 300 mm lubrication width
connection on both sides